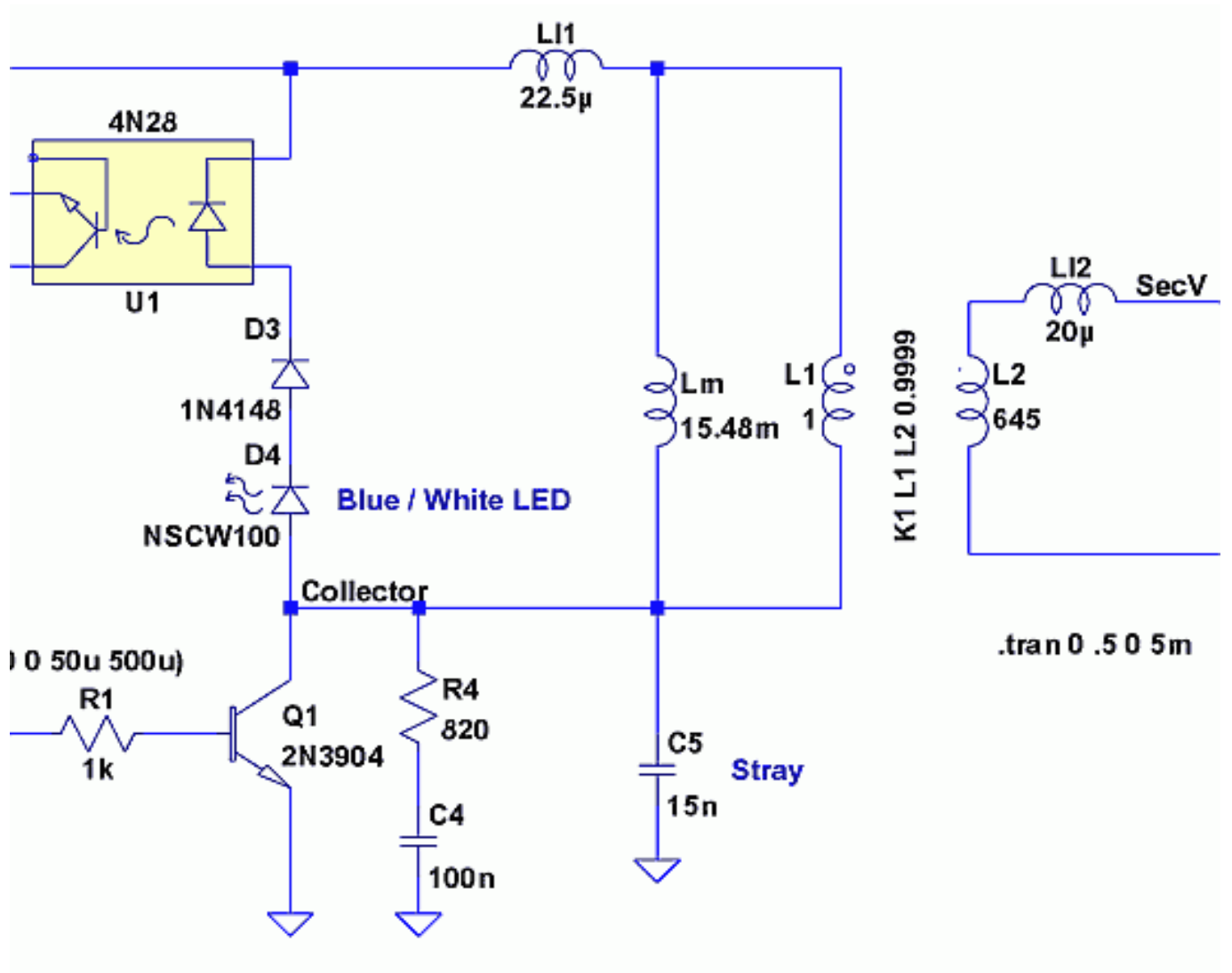


---

Download





[Rings English English Dubbed 720p Torrent](#)

Download



---

dee5df5a7f

[lollymodelsets235](#)

[1st Studio Siberian Mouse Custom Tonya Real Bj Wmv](#)

[Guddu Ki Gun Movie English Subtitle Download Free](#)

[lan employee monitor 3.9 cracked](#)

[Aankhen 2002 Hindi DVDRip XviD E-SuB xRG](#)

[matlab 2010b crack lic standalone.dat](#)

[Khakee 720p Movie Kickass Download](#)

[videos xxx de suegras cachondas gratis para movil](#)

[Content Grabber Premium Free Download For Windows Full Version](#)

[Download Programa Simplo Automotivo Serialgolkesl](#)